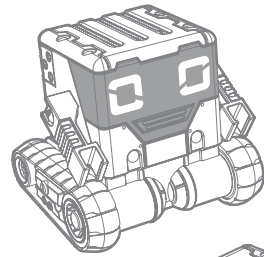
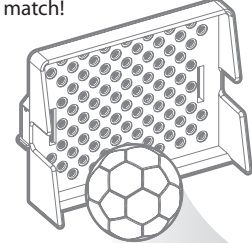


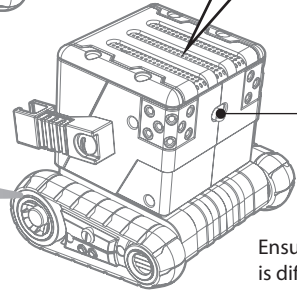
### SOCCER GAME

Place the Tray upright to use it as a Soccer Goal. Play against your friends in a MiBRO soccer match!



#### SUGGESTED SOUND EFFECT

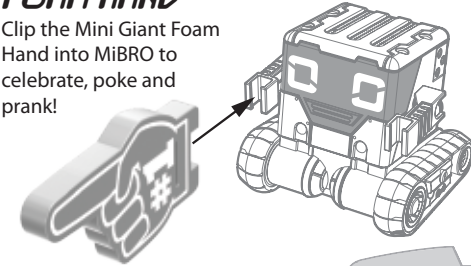
Use the Sports mode SFX to celebrate your goal!



Ensure that your Radio Control channel is different to that of your friend's MiBRO.

### MINI GIANT FOAM HAND

Clip the Mini Giant Foam Hand into MiBRO to celebrate, poke and prank!

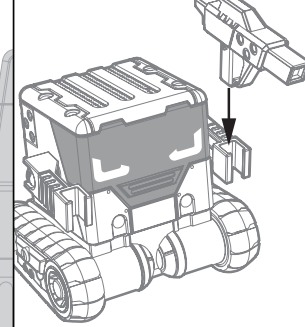


### RAD BLASTER

Clip the Rad Blaster into MiBRO's hand and drive him off for some action!

#### SUGGESTED SOUND EFFECT

Use the Rad Blaster mode SFX.

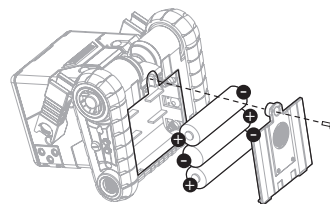


#### SUGGESTED SOUND EFFECT

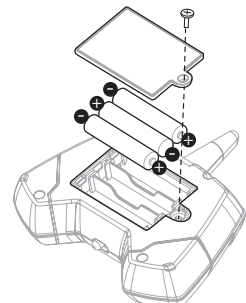
Use the Gross mode SFX.

### BATTERIES

**IMPORTANT NOTE ON BATTERY REPLACEMENT**  
If MiBRO's sounds or buttons do not function properly **DO NOT RETURN TO THE STORE.** Replace with fresh batteries as shown.



MiBRO Requires 3 x AA/LR6 Batteries (Not Included).  
Phillips/cross head screwdriver (not included) needed to replace batteries.



Remote Control Requires 3 x AAA/LR03 Batteries (Not Included).  
Phillips/cross head screwdriver (not included) needed to replace batteries.

- Use new batteries to obtain best performance.
- Alkaline batteries recommended.
- Rechargeable batteries are to be removed from the toy before being charged.
- Rechargeable batteries are only to be charged under adult supervision.
- Non-rechargeable batteries are not to be recharged.
- Different types of batteries or new and used batteries are not to be mixed.
- Only batteries of the same or equivalent type as recommended are to be used.
- Batteries should be replaced by an adult.
- Batteries are to be inserted with the correct polarity.
- Exhausted batteries are to be removed from product.
- The supply terminals are not to be short-circuited.
- Batteries are to be removed from the product before long term storage.
- Do not dispose of batteries in fire.

### FAQ

#### What is the remote control range?

This depends on the environment. Generally MiBRO can be controlled within a 10m/30ft range. For best performance avoid operating near a WiFi router and avoid having brick walls in between the Controller and MiBRO.

#### What is the maximum MiBRO can carry on its tray?

MiBRO can carry up to 400g/0.8lbs, equivalent to a standard can of soda.

### TROUBLESHOOTING

#### Audio quality in Talk OR Listen mode is unclear/inaudible.

When talking, ensure to talk directly into the Remote Controller's microphone. The distance between your mouth and the microphone should be approximately 10cm/4inches.

When listening, drive MiBRO closer to the sound source. For best performance MiBRO should be within 1m/3ft away from sound source.

If audio quality has not improved, the RF signal may have been interfered with. Move both the MiBRO and Controller away from any active electronic devices (particularly WiFi router). You can also try switching to the second Radio control channel.

#### The Remote Control is unreliable when 2 MiBROs are in the same area.

Ensure that the 2 MiBROs are using different radio control channels. To avoid radio control interference, there can be no more than 2 active MiBROs in the same environment.

#### MiBRO is powered on, but doesn't respond to remote control input.

Check the channel switch on both your MiBRO and your remote control. They both need to be on the same channel, either channel 1, or channel 2. If it still doesn't have any response you can try changing the batteries in the remote.

#### Feedback noise is emitted from MiBRO or the Remote Control.

Feedback noise whilst the Listen or Talk Buttons are being pressed can be eliminated if the distance between MiBRO and the Remote Control is increased or there is a barrier between them.

Hereby, Moose Enterprise (INT) Pty Ltd, declares that this radio-controlled toy is in compliance with the essential requirements and other relevant provisions of 2014/53/EU. The full text of the EU declaration of conformity is available at the following internet address: [www.reallyradrobots.com/27805\\_27817\\_doc.pdf](http://www.reallyradrobots.com/27805_27817_doc.pdf)

### FCC STATEMENT

#### REMOTE:

FCC ID: 2A0Z9MOOSE001  
IC: 23624-MOOSE001

#### ROBOT:

FCC ID: 2A0Z9MOOSE002  
IC: 23624-MOOSE002

Frequency band: 2.4GHz - 2.4835GHz  
Maximum transmitting power: 10mW.

This device complies with Part 15 of the FCC Rules and this device contains licence-exempt transmitter(s)/receiver(s) that comply with Innovation, Science and Economic Development Canada's licence-exempt RSS(s). Operation is subject to the following two conditions: [1] This device may not cause harmful interference, and [2] this device must accept any interference received, including interference that may cause undesired operation.

**CAUTION:** Changes, adjustments or modifications to this unit, including but not limited to, replacement of any transmitter component (crystal, semiconductor, etc.) could result in a violation of FCC rules under Part 15 and/or 95 and must be expressly approved by the party responsible for compliance could void the user's authority to operate the equipment.

**NOTE:** This equipment has been tested and found to comply with the limits for a Class B digital device, pursuant to Part 15 of the FCC Rules. These limits are designed to provide reasonable protection against harmful interference in a residential installation. This equipment generates, uses and can radiate radio frequency energy, and, if not installed and used in accordance with the instructions, may cause harmful interference to radio communications. However, there is no guarantee that interference will not occur in a particular installation. If this equipment does cause harmful interference to radio or television reception, which can be determined by turning the equipment off and on, the user is encouraged to try to correct the interference by one or more of the following measures:

- Reorient or relocate the receiving antenna.
- Increase the separation between the equipment and receiver.
- Connect the equipment into an outlet on a circuit different from that to which the receiver is connected.
- Consult the dealer or an experienced radio/TV technician for help.

#### WARNING: DO NOT PLAY SOUNDS CLOSE TO YOUR EAR!

**CAUTION: ADULT SUPERVISION SHOULD BE ENCOURAGED FOR YOUNG CHILDREN. PLEASE REMOVE ALL PACKAGING ATTACHMENTS BEFORE GIVING THIS PRODUCT TO A CHILD. KEEP HAIR AND LOOSE CLOTHING AWAY FROM MOVING PARTS.**

**IMPORTANT: INDOOR TOY. DO NOT USE ON TABLE OR STAIRS. DROPPING REALLY RAD ROBOTS TOY MAY CAUSE DAMAGE THAT PREVENTS REALLY RAD ROBOTS FUNCTIONS. PLEASE RETAIN PACKAGING DETAILS FOR FUTURE REFERENCE SINCE THEY CONTAIN IMPORTANT INFORMATION. READ ALL INSTRUCTIONS CAREFULLY BEFORE USING PRODUCT. COLORS AND CONTENTS MAY VARY. INDOOR TOY, WORKS BEST ON FLAT, LEVEL, HARD SURFACE. ENSURE DIRECT LINE OF SIGHT FOR BEST RANGE.**

**CONTENTS: 1 MiBRO, 1 REALLY RAD REMOTE, 1 SERVING TRAY/GOAL, 1 SOCCER BALL, 1 RAD BLASTER, 1 MINI GIANT FOAM HAND, 1 INSTRUCTION MANUAL**



www.moosetoys.com  
©2017 Moose.  
MADE IN CHINA  
www.reallyradrobots.com



# MiBRO & REALLY RAD REMOTE

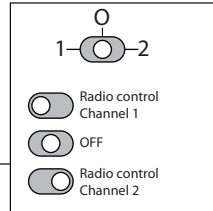
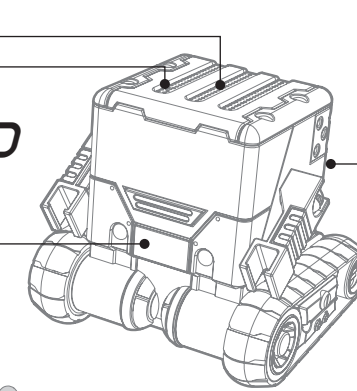
## INSTRUCTION MANUAL

**WARNING:**  
**CHOKING HAZARD** -  
Toy contains small parts and small balls.  
Not for children under 3 years.

Speaker  
Microphone

MiBRO

Chest Button



To turn on MiBRO, slide switch to either 1 OR 2.

### REALLY RAD REMOTE

SFX Selector

Dance

Movement

Antenna

Talk

Voice Changer

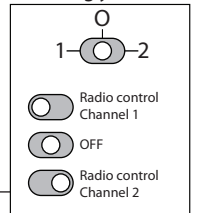
Listen

Movement

Speaker

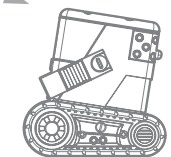
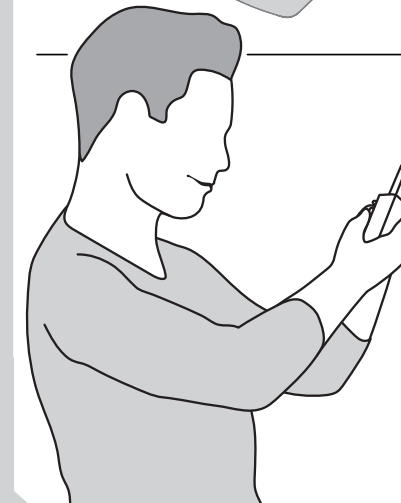
Microphone

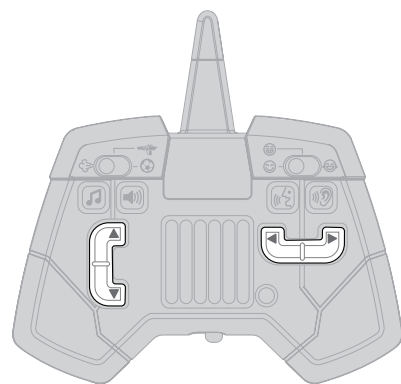
To turn on Remote, slide switch to either 1 OR 2 matching your MiBRO.



### REMOTE CONTROLLING

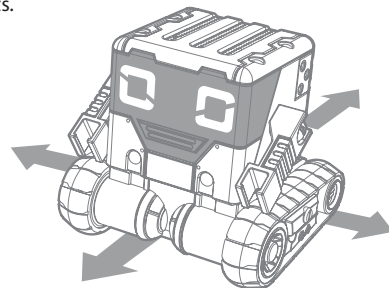
When controlling your MiBRO, keep the remote as upright as possible for best performance and range.





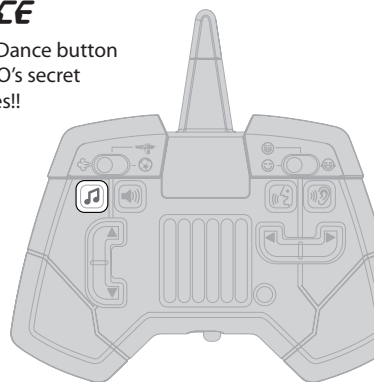
### MOVEMENT

Use the Movement buttons to control your MiBRO's movements.



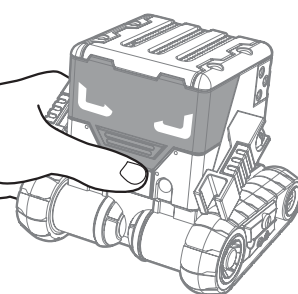
### DANCE

Trigger the Dance button to see MiBRO's secret dance moves!!



### STEALTH

Press the Chest Button to enter Stealth mode for some silent and sneaky mischief!

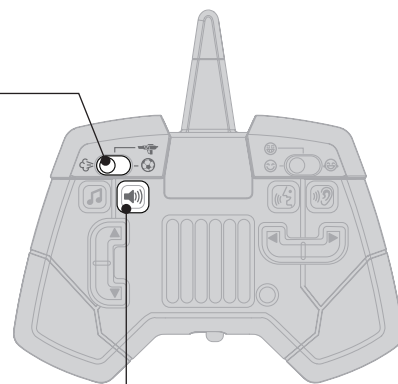


### SFX



Use the SFX selector to select desired sound effects.

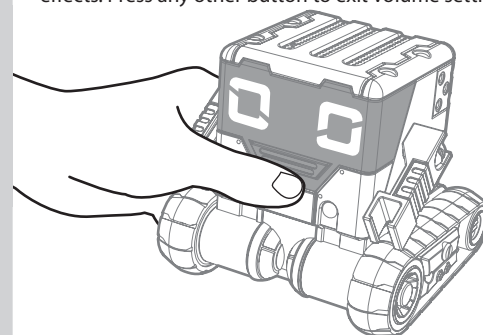
- GROSS MODE**  
Get pranking with some funny and gross sound effects!
- BLASTER MODE**  
Show 'em who's boss with some cool laser and blaster sound effects!
- SPORTS MODE**  
Celebrate your sports skills with awesome cheering and sound effects!



Press the SFX button for a variety of cool sound effects!

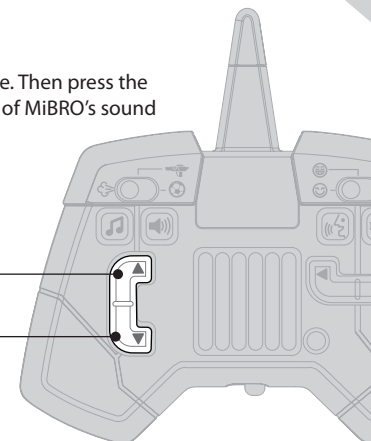
### VOLUME ADJUSTMENT

Hold down the Chest Button for 2 seconds to enter the volume setting mode. Then press the forward or backward Movement button to increase or decrease the volume of MiBRO's sound effects. Press any other button to exit volume setting mode.



▲ Volume up

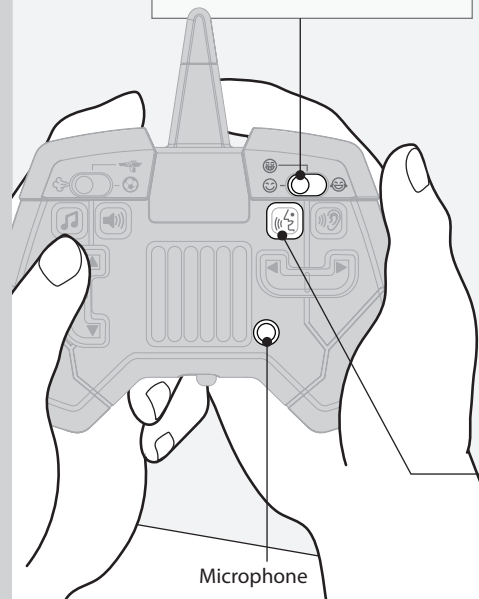
▼ Volume down



### TALK

Use the Voice Changer to adjust and change your voice when talking through MiBRO.

- Normal voice
- Robot voice
- Helium voice



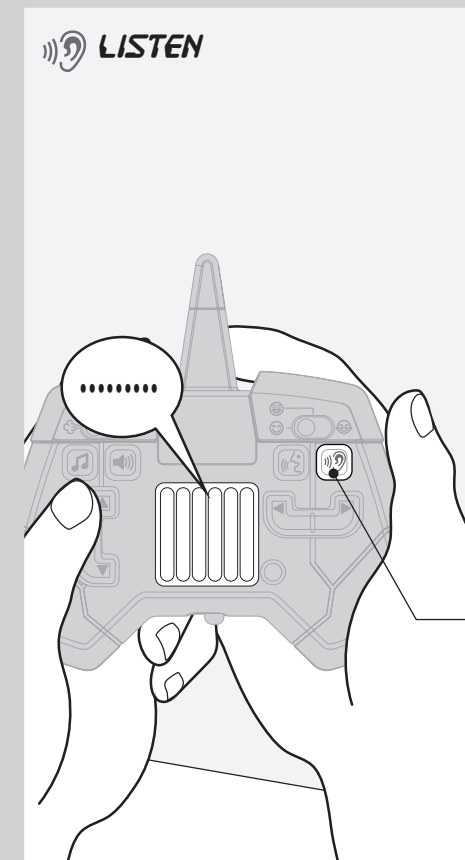
Microphone



Hold down the Talk button and speak into the microphone to talk to someone remotely.

**TIP: For best performance, keep microphone approximately 5cm/2inches away from your mouth when speaking.**

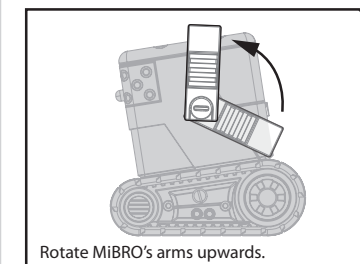
### LISTEN



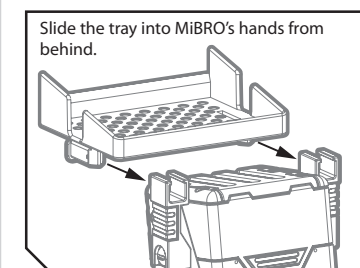
Hold down the Listen button to hear to someone remotely.

Use in conjunction with Stealth mode to spy on people's conversation from a distance.

### TRAY

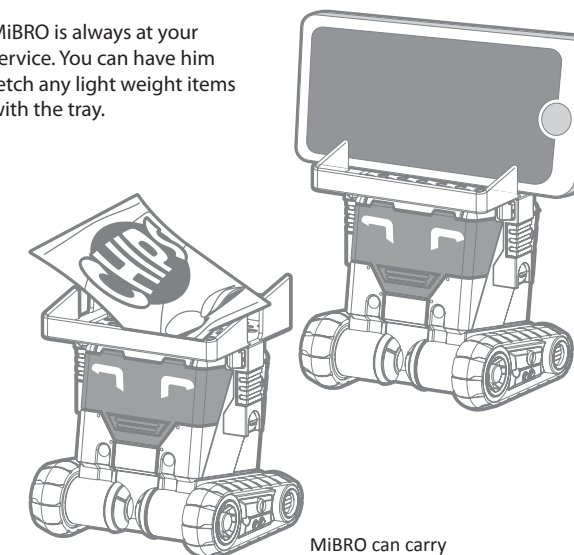


Rotate MiBRO's arms upwards.



Slide the tray into MiBRO's hands from behind.

MiBRO is always at your service. You can have him fetch any light weight items with the tray.



MiBRO can carry up to 400g/0.8lbs